



NU-FLAME

INNOVATION IN ENGINEERING

GAS FIRE CATALOGUE

Designed, manufactured and tested in the UK

For over 25 years Nu-Flame has brought together the very best of **British Innovation, Design and Engineering** to give our customers a range of quality gas fires with the authentic look of a traditional flame. The Nu-Flame range is available only from specially selected fireplace showrooms offering unrivalled customer service. These **knowledgeable and friendly local stockists** will give you all the necessary advice to help you choose a Nu-Flame fire to suit your individual requirements.

Nu-Flame, a family run business, has invested heavily in our own state of the art factory in Surrey. Unlike some companies, we choose to manufacture all of our fires here in the UK and this enables us to ensure that your fire is built to the highest standards as well as allowing us to react quickly to any changes in the marketplace.

Every Nu-Flame fire is built to ISO 9001 and **CE** quality standards.

Nu-Flame is an award winning Company.



Nu-Flame fires come with a 5 year peace of mind option... ask your stockist for details.

For a reasonable one off payment, the warranty on your Nu-Flame fire can be extended to 5 years. Your stockist can advise you of the current rates.

Q. Why is the Nu-Flame extended warranty option better than other manufacturers' long term guarantees?

A. Our offer represents much better value for money, without hidden terms and conditions that are likely to void your warranty after the first year, or, if followed, can cost you considerably more than the purchase price of the fire.

Nu-Flame would like to thank the following companies for their help in producing this brochure: The Gallery Collection, Capital Fireplaces and Newman Fireplaces, also thanks to Multiyork (www.multiyork.co.uk) 0800 040 7171 and Glasswells (World of Furniture) 01473 622422 for kindly lending us furniture.

Photography, Design and Production by TPW Graphics Ltd (01206) 393888

CONTENTS

PAGE

The Hotbox H.E.	4+5
The Slimline Radiant H.E.	6+7
The Convector Ultra H.E.	8+9
Arc Trim	10+11
Evolution Plus - Tapered & Made to Measure Fires	12
The Fireboxx Burner	13
The Vitesse H.E.	14+15
The Vitesse Royale	16
The Vitesse Balanced Flue	17
Frames	18
Frets	19
Technical Information & Colour Chart	20+21+22
Fuel Effects, Flue Types & Controls	23
Contact Details	24



BRITISH MADE





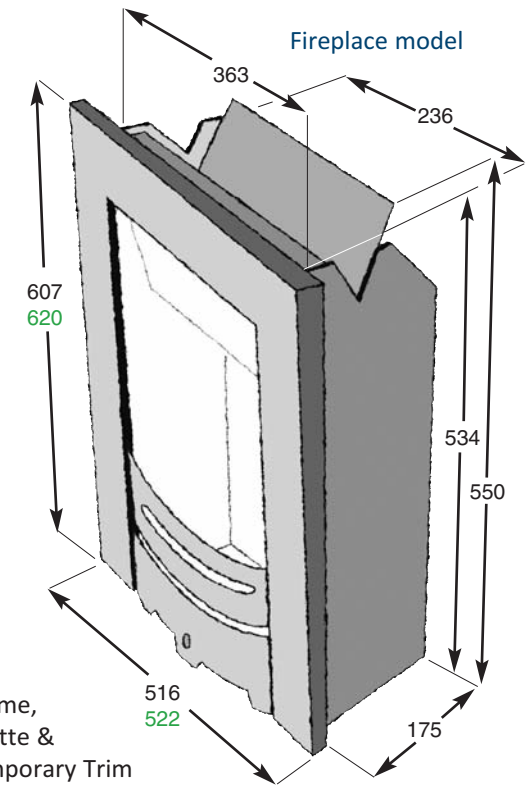
THE HOTBOX H.E.



Hotbox H.E. complete with a 3 sided Brass effect Profiled frame and Novello Antique fret

The Hotbox H.E. from Nu-Flame features a completely open front and full depth fuel bed for maximum realism. The Hotbox H.E. has many design features unique to Nu-Flame, which give a natural realistic effect whilst at the same time delivering higher efficiency than is normally associated with hotbox fires.

Now available with the **NEW** Arc Trim for either Hole in the Wall or suitable Fireplace installation. See pages 10 & 11 for details.



Flat frame,
Silhouette &
Contemporary Trim
sizes shown in black
Profiled frame
sizes shown in green



THE HOTBOX H.E.



Hotbox H.E. (Hole in the Wall model) complete with Lacquered Brushed Stainless Contemporary Trim and Holographic Black Outer Frame

3 Sided frame-only finishes - Fireplace models only:

Choose from **Flat**, **Profiled** or **Silhouette** styles, in a choice of beautiful finishes. See page 18 for the full selection.

Contemporary Trim finishes

Fireplace & Hole in the Wall models:

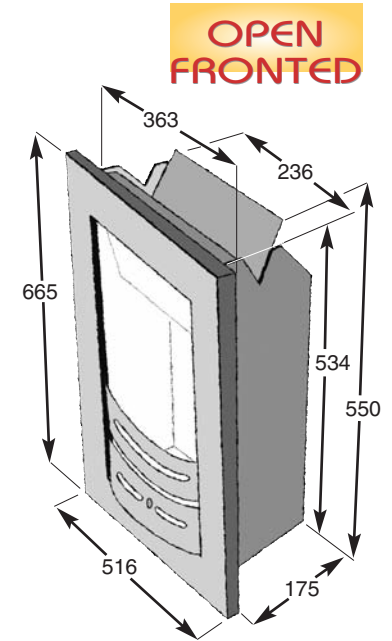
Brushed Stainless, Lacquered Brushed Stainless, Satin Black, Holographic Black, Antique Gold, Gun Metal

Outer Frame finishes - Hole in the Wall models:

Lacquered Brushed Stainless, Holographic Black, Marfil Stone, Gun Metal Size 684 x 834

- **Controls:**
Manual, 2 Button High Level, 3 Button Fully Sequential High Level or Fully Sequential Remote Control
- **Interior:**
Plain black

Hole in the Wall model



- **Effects:**
Coal or Pebble
- **Coal - Coke Adjustment:**
On Natural Gas Coal models only
- **Gas Type:**
Natural Gas or LPG
- **Flue Types:**
Class 1 or 2, Pre-Cast
- **Ventilation:**
Not normally required
- **Class 2 Efficiency:***
65% Net (Natural Gas)
65% Net (LPG)
- **Output on High:***
4.07kW (Natural Gas)
3.98kW (LPG)

*Figures verified at time of CE approval by BSI to BS7977-1:2009. This standard has since been amended. If retested to the amended version of the standard the efficiencies and outputs of these fires may vary.

THE SLIMLINE RADIANT H.E.



Slimline Radiant H.E. complete with 3 sided Brass Flat frame, shown with Novello Antique fret

The Slimline Radiant H.E. features a completely open front and still achieves an impressive efficiency. The innovative design gives a great flame pattern and a fuel bed that looks surprisingly deep for a slim fire.

3 Sided frame-only finishes - Fireplace models only: Choose from **Flat**, **Profiled** or **Silhouette** styles, in a choice of beautiful finishes. See page 18 for the full selection.

Contemporary Trim finishes - Fireplace & Hole in the Wall models: Brushed Stainless, Lacquered Brushed Stainless, Satin Black, Holographic Black, Antique Gold, Gun Metal

Outer Frame finishes - Hole in the Wall models: Lacquered Brushed Stainless, Holographic Black, Marfil Stone, Gun Metal Size 684 x 834



Slimline Radiant H.E. (Hole in the Wall model) complete with Lacquered Brushed Stainless Contemporary Trim, and Marfil Stone finish Outer frame



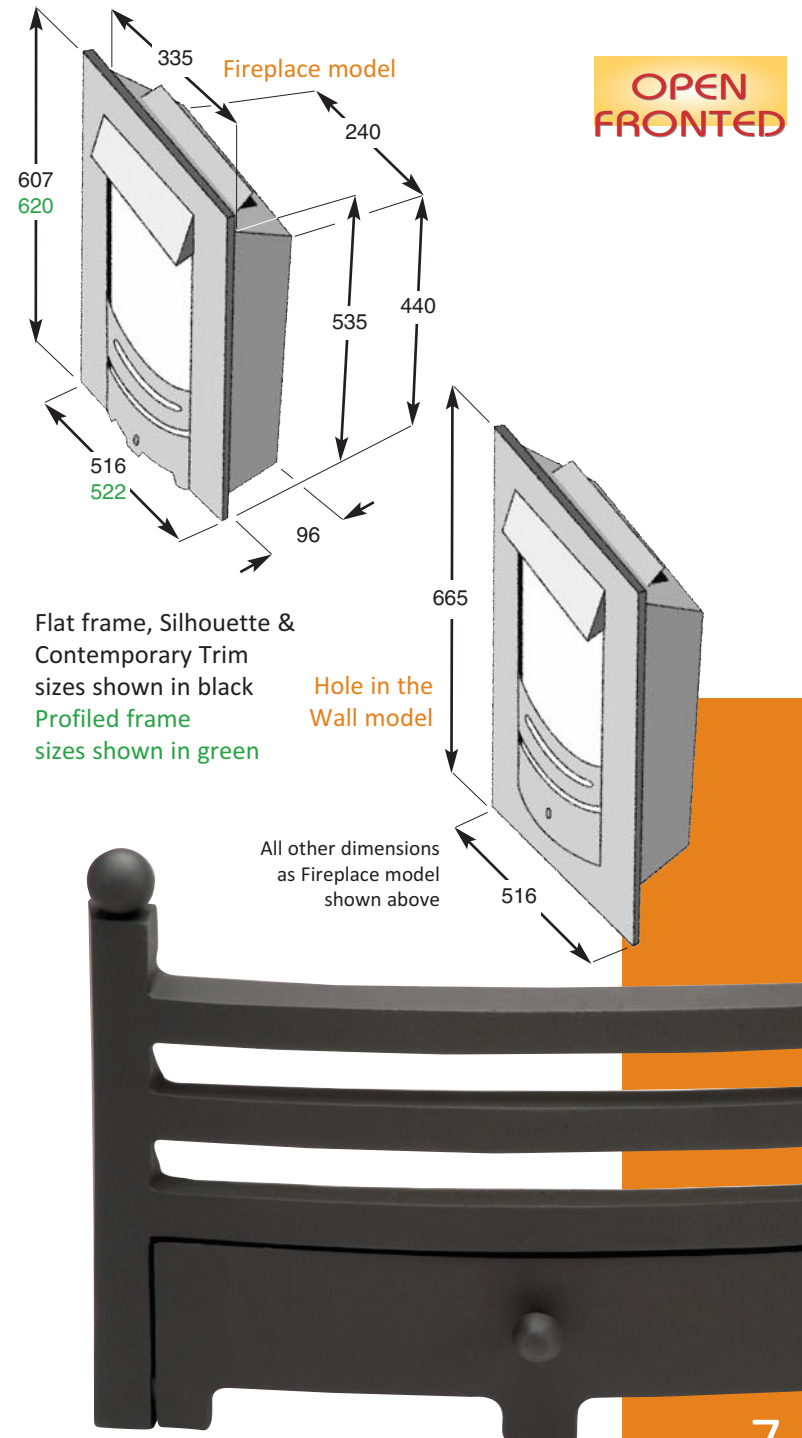
THE SLIMLINE RADIANT H.E.



Slimline Radiant H.E. complete with Lacquered Brushed Stainless Contemporary Trim and plain black interior

Now available with the NEW Arc Trim for either Hole in the Wall or suitable Fireplace installation. See pages 10 & 11 for details.

- Controls:**
Manual, 2 Button High Level, 3 Button Fully Sequential High Level or Fully Sequential Remote Control
- Interiors:**
Plain black or Brick effect black
- Effects:**
Coal or Pebble
- Coal - Coke Adjustment:**
On Natural Gas Coal models only
- Gas Type:**
Natural Gas or LPG
- Flue Types:**
Class 1 or 2, Pre-Cast
- Ventilation:**
Not normally required
- Class 2 Efficiency:***
68% Net (Natural Gas)
67.9% Net (LPG)
- Output on High:***
4.25kW (Natural Gas)
4.16kW (LPG)



*Figures verified at time of CE approval by BSI to BS7977-1:2009. This standard has since been amended. If retested to the amended version of the standard the efficiencies and outputs of these fires may vary.

THE CONVECTOR ULTRA H.E.



Convector Ultra H.E. complete with 3 sided Chrome effect Profiled frame and Traditional Chrome/Black fret

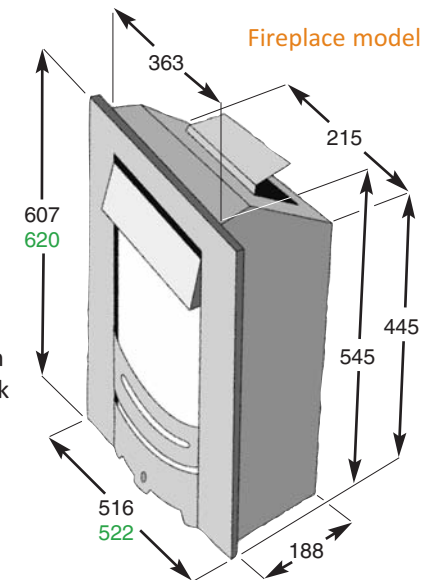
With its classic styling the Convector Ultra H.E. will bring sophistication and warmth to any room. With a superb choice of frames frets and finishes the Convector Ultra H.E. can be configured to compliment any style of home. The combination of cutting edge design, features unique to Nu-Flame, enable you to have the beauty of an open fronted gas fire with a heat output that beats many glass fronted appliances.

Patented design

Now available with the **NEW Arc Trim** for either Hole in the Wall or suitable Fireplace installation. See pages 10 & 11 for details.



Convector Ultra H.E. complete with 3 sided Textured Black Profiled frame and Novello Black fret



Flat frame,
Silhouette &
Contemporary Trim
sizes shown in black
Profiled frame
sizes shown
in green

THE CONVECTOR ULTRA H.E.



Convector Ultra H.E. complete with Black/Polished Stainless Silhouette frame and Traditional Chrome/Black fret

3 Sided frame-only finishes **Fireplace models only:**

Choose from **Flat**, **Profiled** or **Silhouette** styles, in a choice of beautiful finishes. See page 18 for the full selection.

Contemporary Trim finishes

Fireplace & Hole in the Wall models:

Brushed Stainless, Lacquered Brushed Stainless, Satin Black, Holographic Black, Antique Gold, Gun Metal

Outer Frame finishes - **Hole in the Wall models:**

Lacquered Brushed Stainless, Holographic Black, Marfil Stone, Gun Metal Size 684 x 834



Controls:

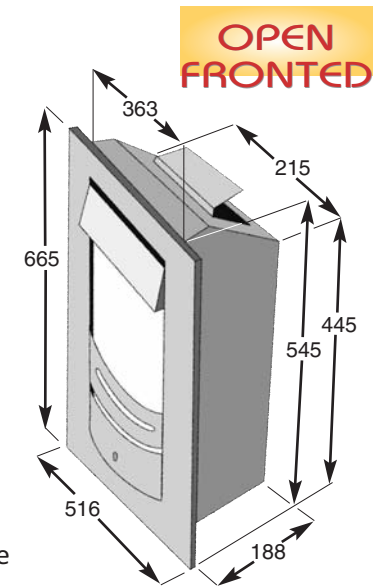
Manual, 2 Button High Level, 3 Button Fully Sequential High Level or Fully Sequential Remote Control



Interiors:

Plain black or Brick effect black

Hole in the Wall model



Effects:

Coal or Pebble



Coal - Coke Adjustment:

On Natural Gas Coal models only



Gas Type:

Natural Gas or LPG



Flue Types:

Class 1 or 2, Pre-Cast



Ventilation:

Not normally required



Class 1 Efficiency:*

74.4% Net (Nat. Gas)
76.4% Net (LPG)



Output on High:*

4.7kW (Nat. Gas)
4.7kW (LPG)

*Figures verified at time of CE approval by BSI to BS7977-1:2009. This standard has since been amended. If retested to the amended version of the standard the efficiencies and outputs of these fires may vary.

ARC TRIM FOR OPEN FRONTED H.E. FIRES

The new Arc Trim allows you to create a very distinctive focal point and is designed for use with our Slimline Radiant H.E., Hotbox H.E. and Convector Ultra H.E. models.

Available for use with a fireplace or as a Hole in the Wall feature the Nu-Flame Arc Trim comes in a choice of finishes enabling you to create a perfect complement to your home.

When used with one of our high efficiency open fronted fires, the flawless lines of the Arc Trim will bring sophistication and warmth to any room, making it the ultimate place to relax.

There are two versions of the Arc Trim, one for the Hotbox H.E. and the other featuring an additional canopy for the Slimline Radiant H.E. and Convector Ultra H.E. Each is designed to seamlessly match the chosen fire.



Hotbox H.E. with Lacquered Brushed Stainless Arc Trim and Satin Black 3 Sided Outer Frame

ARC TRIM WITH HOTBOX H.E.



Hotbox H.E. (Hole in the Wall model) with Noir Arc Trim and Lacquered Brushed Stainless 4 Sided Outer Frame



Hotbox H.E. (Hole in the Wall model) with Phosphorus Arc Trim and Lacquered Brushed Stainless 4 Sided Outer Frame

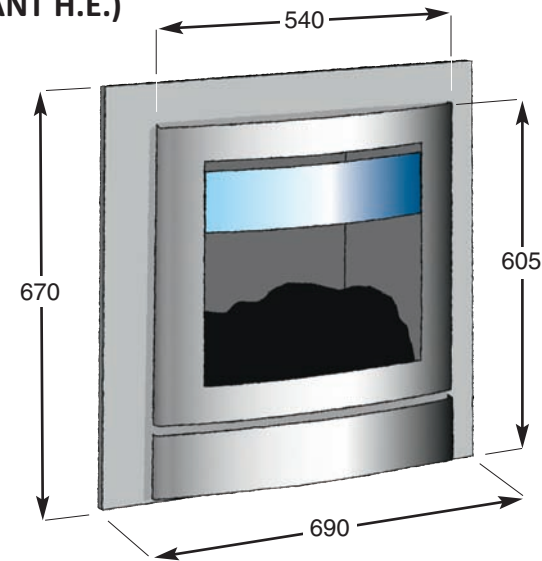
ARC TRIM WITH CONVECTOR ULTRA H.E. (ALSO SUITABLE FOR SLIMLINE RADIANT H.E.)



Convector Ultra H.E. with Noir Arc Trim



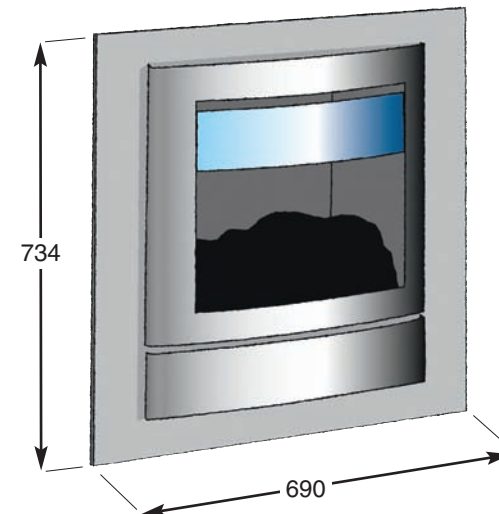
Convector Ultra H.E. (Hole in the Wall model) with Lacquered Brushed Stainless Arc Trim and Lacquered Brushed Stainless 4 Sided Outer Frame



Fireplace Model

Outer frame measurements only are shown. Further details are in the relevant fire sections on pages 4-5, 6-7 and 8-9 as appropriate.

Hood shaded blue is not supplied when used with Hotbox H.E.



Hole in the Wall Model

Outer frame measurements only are shown. Further details are in the relevant fire sections on pages 4-5, 6-7 and 8-9 as appropriate.

Hood shaded blue is not supplied when used with Hotbox H.E.

Arc Trim finishes Fireplace & Hole in the Wall models:

Lacquered Brushed Stainless, Noir, Phosphorus

Outer Frame finishes Fireplace & Hole in the Wall models:

Lacquered Brushed Stainless, Satin Black

EVOLUTION PLUS - BURNERS

Tapered Inset Fires

The Evolution Plus - Inset gas fire from Nu-Flame offers stunning realism, capturing the timeless look of a real fire with all the benefits of clean fuel and a choice of convenient control options.

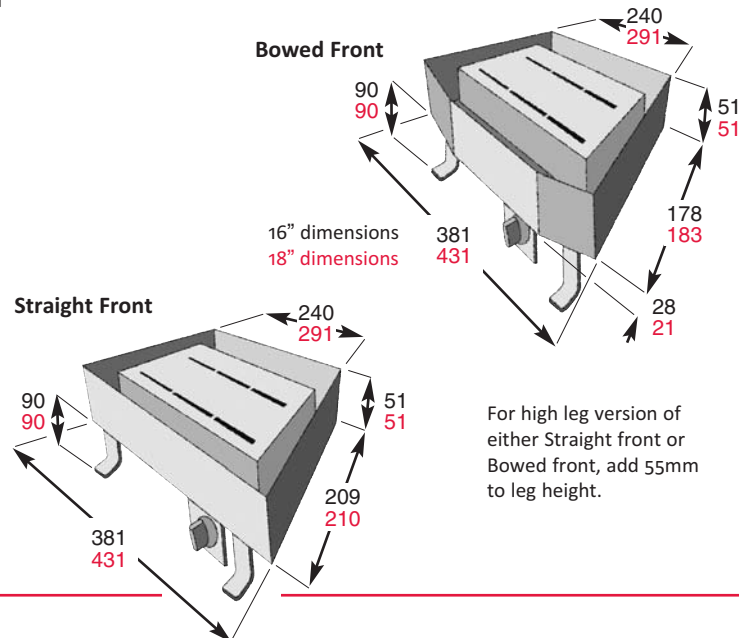
A high leg version is available for use with many Victorian cast inserts.

Whether with loose random ceramic coals or any of the optional fuel beds, manual or full remote control, the Evolution Plus will bring any fireplace to life.

- **Size:**
16" or 18"
- **Controls:**
Manual, Fully Sequential Wall Switch or Fully Sequential Remote Control
- **Effects:**
Coal, Log, Driftwood or Pebble
- **Gas Type:**
Natural Gas or LPG
- **Flue Types:**
16" and 18" NV Class 1 or 2
18" Hi Class 1 only
- **Ventilation:**
Not normally required on 16" models or 18" NV



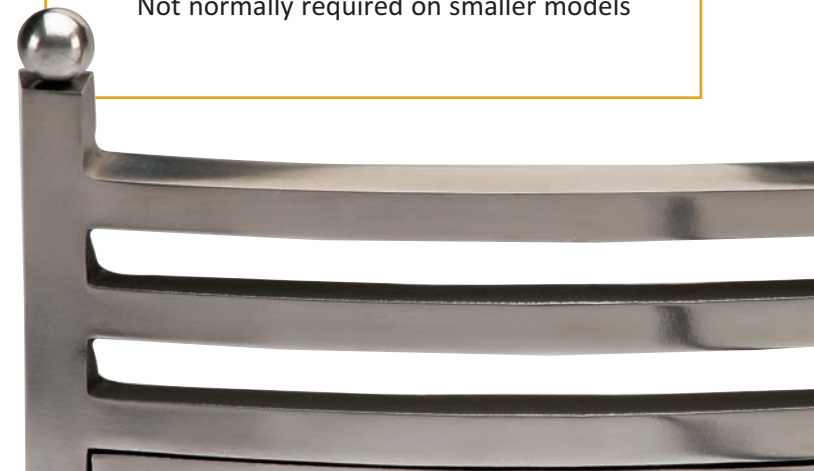
16" Tapered Inset burner, with Traditional Antique/Black fret



Made to Measure Fires

From hob grates to fire baskets, from arched cast inserts to contemporary sunken burners, our made to measure service can fulfil almost any requirement. All made to measure fires can be offered with a range of control options and the full range of our fuel beds, allowing you to create exactly the right fire, whatever your needs.

- **Controls:**
Manual, Fully Sequential Wall Switch or Fully Sequential Remote Control
- **Effects:**
Coal, Log, Driftwood, Pebble or Crushed Rock
- **Gas Type:**
Natural Gas or LPG
- **Flue Types:**
Class 1 or 2 subject to size.
Please consult your dealer
- **Ventilation:**
Not normally required on smaller models



THE FIREBOXX BURNER

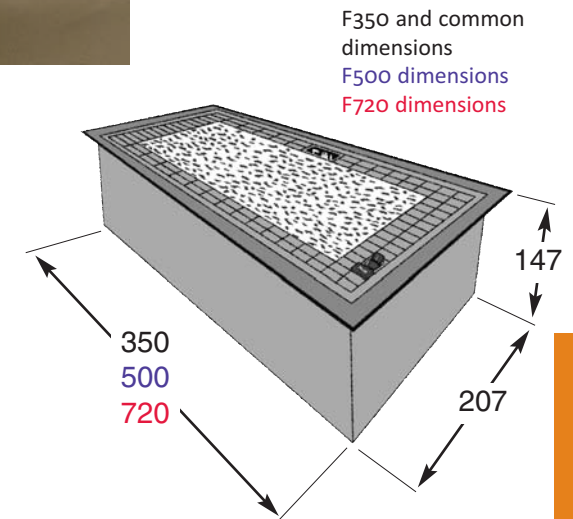


F720 Fireboxx with Log fuel effect shown in custom made fireplace

Available in 3 sizes the Fireboxx Burner is designed to enable your Nu-Flame stockist to create a Hole in the Wall fireplace to your own design. A stunning centrepiece in either modern or traditional style, minimalism or an outrageous statement the choice is very much up to you. From the simplicity of a pure dancing flame to the warmth of a coal or log fuel bed or even the contemporary styling of pebbles or driftwood.

- **Controls:**
 Fully Sequential Remote Control as standard
- **Effects:**
 Supplied with Crushed Rock firebed as standard. Optional Coal, Log, Driftwood or Pebble effects also available
- **Gas Type:**
F350 Natural Gas Only
F500 and **F720** Natural Gas or LPG

- **Flue Types:**
 350 & 500 Class 1 or 2
 720 Class 1 only
- **Ventilation:**
 Not normally required on models 350 & 500
- **Finishes:**
 Satin Black or Marfil Stone



THE VITESSE H.E.



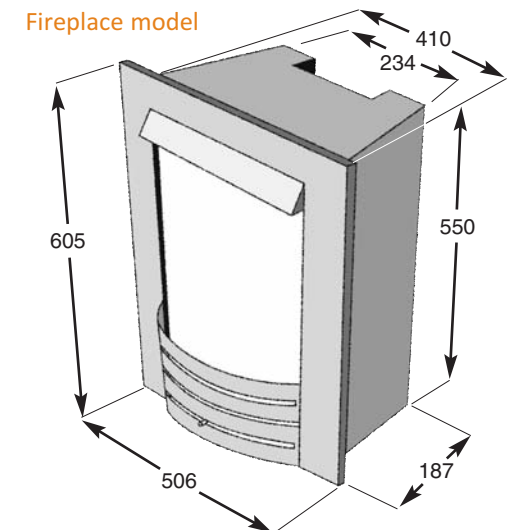
Vitesse H.E. with Coal and Two-Tone Modern Trim

The Nu-Flame Vitesse H.E. is a versatile, high efficiency, glass fronted convector fire for use in any home with a chimney. Whether in a fireplace or as a Hole in the Wall centrepiece, the Vitesse H.E. provides stunning good looks along with superb efficiency. With a wide range of colours and styles, the Vitesse H.E. is the ideal choice if you want a great looking very hot fire.

- Glass Fronted
- Fireplace and Hole in the Wall models



Vitesse H.E. with coal and Satin Black Contemporary Trim



THE VITESSE H.E.



Hole in the Wall Vitesse with Pebbles and Two-Tone Contemporary Trim, shown with Marfil Stone finish Outer Frame

Finishes available for Vitesse Fireplace and Hole in the Wall models:

Modern Trim (Flat):

Brushed Stainless, Two-Tone, Satin Black

Contemporary Trim (Curved):

Brushed Stainless, Satin Black, Two-Tone, Antique Gold, Gun Metal

Outer Frame finishes - Hole in the Wall models:

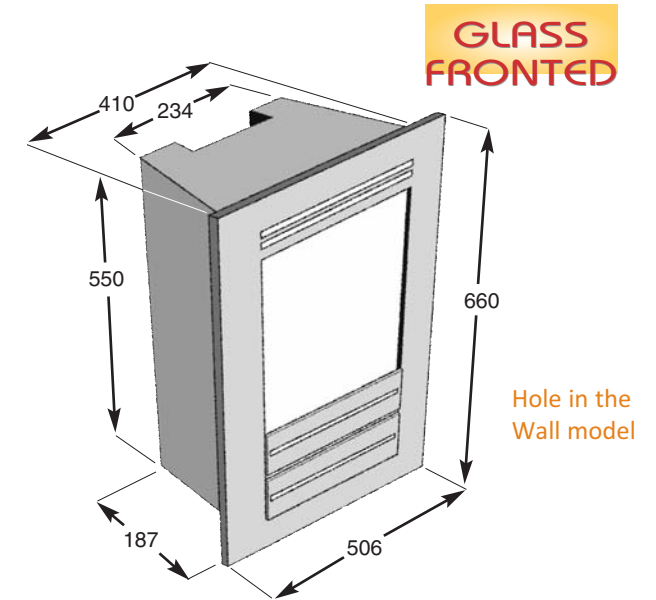
Lacquered Brushed Stainless, Holographic Black, Marfil Stone, Gun Metal Size 684 x 834

Controls:

Manual, 2 Button High Level, 3 Button Fully Sequential High Level or Fully Sequential Remote Control

Interior:

Plain Black



- **Effects:**
Coal or Pebble
- **Gas Type:**
Natural Gas or LPG
- **Flue Types:**
Class 1 or 2, Pre-Cast
- **Ventilation:**
Not required
- **Class 1 Efficiency:***
87% Net (Natural Gas)
80.5% Net (LPG)
- **Output on High:***
4.4kW (Natural Gas)
3.89kW (LPG)

*Figures verified at time of CE approval by BSI to BS7977-1:2009. This standard has since been amended. If retested to the amended version of the standard the efficiencies and outputs of these fires may vary.

THE VITESSE ROYALE



Vitesse Royale with Satin Black frame, Flat Brass Trim and Horizon Black fret



Vitesse Royale with Brushed Stainless frame and Horizon Satin Steel fret



Vitesse Royale with Satin Black frame, Flat Brass Trim and Horizon Brass fret



Vitesse Royale with Satin Black frame, Chrome effect Profiled Trim, and 18" Traditional Chrome/Black fret.

Vitesse Royale with Satin Black frame and Brass effect Profiled Trim, shown with Traditional Brass fret

The Vitesse Royale is available in chimney or balanced flue models. With a choice of colours, finishes and frets, the Vitesse Royale is the ideal fire if you are looking for traditional styling combined with glass fronted efficiency.

The Frame & Fret options are illustrated on this page. For efficiencies, specifications and control options see bullet points on page 15 for chimney models and bullet points on page 17 for balanced flue models.

Frame options:

Brushed Stainless Frame, Satin Black Frame

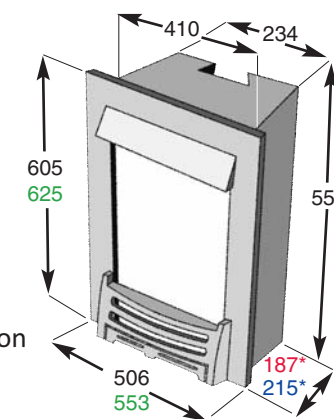
Optional Trims (to go over frame):

Satin Steel effect Profiled Trim, Chrome effect Profiled Trim, Textured Black Profiled Trim, Brass effect Profiled Trim, Polished Stainless Flat Trim, Brass Flat Trim

Frets (exclusively for The Vitesse Royale):

Horizon Chrome, Horizon Brushed, Horizon Brass, Horizon Black, Traditional Brass (18"), Traditional Polished Steel/Black (18")

Fireplace model



Flat frame dimensions shown in black
Optional Profiled Trim and Flat Trim dimensions shown in green

*Depth for chimney models

*Depth for balanced flue models

THE VITESSE BALANCED FLUE



The Vitesse Balanced Flue (Hole in the Wall model) with Two-Tone Modern Trim, shown with Marfil Stone finish Outer Frame

For homes without a chimney, but with a suitable outside wall, the Vitesse and Vitesse Royale are available in balanced flue models. The specification is detailed on this page. For finish and trim options of fireplace and Hole in the Wall models please refer to page 15.



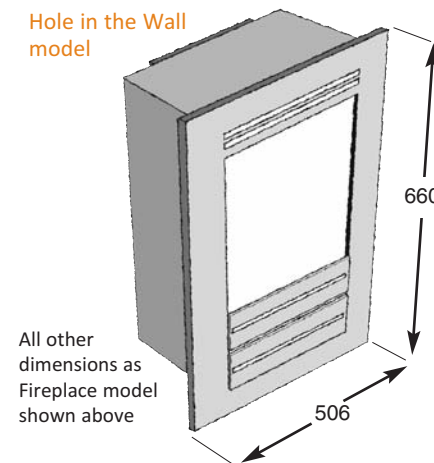
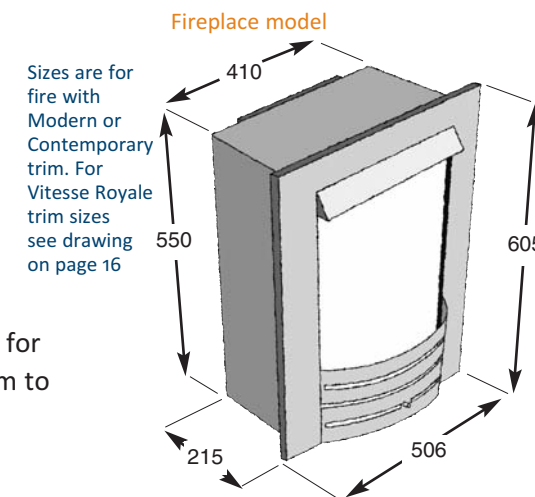
The Vitesse Royale Balanced Flue with Satin Black frame, flat Polished Stainless Trim and Chrome Horizon fret.



The Vitesse Balanced Flue with coal and Brushed Stainless Contemporary Trim.

**GLASS
FRONTED**

- **Controls:**
Manual, 2 Button High Level, 3 Button Fully Sequential High Level or Fully Sequential Remote Control
- **Interior:**
Plain Black
- **Effects:**
Coal or Pebble
- **Gas Type:**
Natural Gas or LPG
- **Flue Type:**
Balanced Flue (suitable for wall thickness of 100mm to 850mm)
- **Ventilation:**
Not required
- **Class 1 Efficiency:***
90% Net (Natural Gas)
89.4% Net (LPG)
- **Output on High:***
4.38kW (Natural Gas)
4.27kW (LPG)



*Figures are verified by BSI BS EN 613

FRAMES

Flat Frames



Brushed Stainless

Profiled Frames



Satin Steel effect

Silhouette Frames



Black/Brushed Stainless



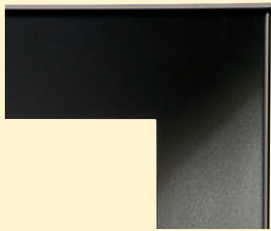
Polished Stainless



Chrome effect



Black/Polished Stainless



Satin Black



Textured Black



Brass



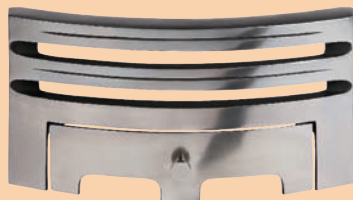
Brass effect



Black/Brass

FRETS

Novello 16"



Novello Brushed

Traditional 16"



Traditional Brushed/Black

Lyric 16"



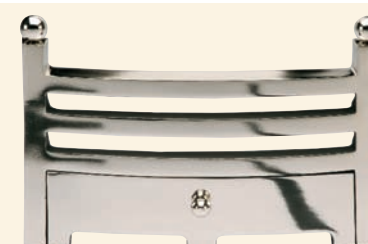
Lyric Brushed



Novello Chrome



Traditional Chrome/Black



Lyric Chrome



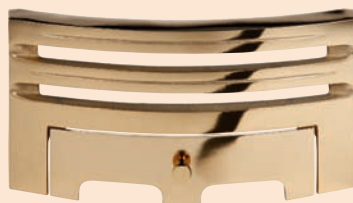
Novello Black



Traditional Black



Lyric Black



Novello Antique



Traditional Antique/Black



Lyric Antique

Due to the diversity of materials and processes used in manufacturing of cast Frets we cannot guarantee exact colour matches.

TECHNICAL INFORMATION

	THE HOTBOX H.E.		THE SLIMLINE RADIANT H.E.		THE CONVECTOR ULTRA H.E.		
Model	HN	HL	SRN	SRL	CN	CL	Model
Gas Type	Nat.Gas	LPG	Nat.Gas	LPG	Nat.Gas	LPG	Gas Type
Control Options	Manual, 2 Button High Level, 3 Button High Level, Remote Control		Manual, 2 Button High Level, 3 Button High Level, Remote Control		Manual, 2 Button High Level, 3 Button High Level, Remote Control		Control Options
Ventilation Required	No*	No*	No*	No*	No*	No*	Ventilation Required
Flue Types	Class 1 & 2 Flues & Pre-Cast Flue†		Class 1 & 2 Flues & Pre-Cast Flue†		Class 1 & 2 Flues & Pre-Cast Flue†		Flue Types
Fuel Bed Options	← Coal, Pebble →		← Coal, Pebble →		← Coal, Pebble →		Fuel Bed Options
Chimney Models:							
Verified Efficiency Class	Class 2 Efficiency	Class 2 Efficiency	Class 2 Efficiency	Class 2 Efficiency	Class 1 Efficiency	Class 1 Efficiency	Verified Efficiency Class
Efficiency Net*	65%	65%	68%	67.9%	74.4%	76.4%	Efficiency Net *
Max Input Net	6.26kW	6.12kW	6.26kW	6.12kW	6.26kW	6.12kW	Max Input Net
Min Input Net	1.8kW	1.8kW	1.8kW	1.8kW	1.8kW	1.8kW	Min Input Net
Max Output*	4.07kW	3.98kW	4.25kW	4.16kW	4.7kW	4.7kW	Max Output *
Min Output	1.1kW	1.1kW	1.1kW	1.1kW	1.1kW	1.1kW	Min Output

*The efficiency and output figures quoted in the above chart are the results of tests carried out in laboratory conditions by BSI using the methodology and equipment as laid down in BS7977-1:2009, the standard in force when this range was CE approved. BS7977-1:2009 has since been amended. If retested to the amended version of the standard the efficiencies and outputs of these fires may vary.

Our figures can be used in the UK Government's Standard Assessment Procedure (SAP) for the Energy Rating of Dwellings. When installed in any given property the performance of any fire could be affected by the individual attributes of the installation such as room insulation, ventilation and the characteristics of the chimney etc.

* Ventilation not normally required in the UK subject to a satisfactory flue test.
Please note that ventilation requirements shown are for the UK and might vary from country to country.

† Designed to fit into any pre-cast flue that is compliant with building regulations.

In all cases local installation requirements must be followed.

TECHNICAL INFORMATION

THE FIREBOXX BURNER

F350N	F500N	F500L	F720N	F720L
Nat.Gas	Nat.Gas	LPG	Nat.Gas	LPG
← Remote Control →				
No*	No*	No*	Yes	Yes
← Class 1 & 2 Flues →			← Class 1 Flue →	
← Crushed Rock, Coal, Log, Driftwood, Pebble →				
← Not Applicable →				
Subject to installation characteristics				
5.3kW	6.7kW	5.4kW	8.2kW	8.3kW
2.6kW	3.4kW	2.7kW	4.0kW	4.0kW
Subject to installation characteristics				

EVOLUTION PLUS TAPERED INSET

16"NV	16"NV	18"NV	18"NV	18"Hi	18"Hi
Nat.Gas	LPG	Nat.Gas	LPG	Nat.Gas	LPG
← Manual, Wall Switch, Remote Control →					
No*	No*	No*	No*	Yes	Yes
← Class 1 & 2 Flues →				← Class 1 Flue →	
← Coal, Log, Driftwood, Pebble →					
← Not Applicable →					
Subject to installation characteristics					
6.9kW	6.1kW	6.9kW	6.1kW	9.0kW	8.0kW
3.5kW	3.0kW	3.5kW	3.0kW	3.75kW	3.5kW
Subject to installation characteristics					

EVOLUTION PLUS MADE TO MEASURE

Range of sizes	Range of sizes
Nat.Gas	LPG
Manual, Wall Switch, Remote Control	
Dependent on size	
Class 1 or 2 Flue dependent on size	
← Coal, Log, Driftwood, Pebble →	
← Not Applicable →	
Dependent on size and installation characteristics	

In line with our policy of continual improvement, we reserve the right to modify specifications. All dimensions shown are nominal.

TECHNICAL INFORMATION & COLOUR CHART

THE VITESSE H.E.

Model	VN	VL
Gas Type	Nat.Gas	LPG
Control Options	Manual, 2 Button High Level, 3 Button High Level, Remote Control	
Ventilation Required	No††	No††
Flue Types	Class 1 & 2 Flues, Pre-Cast Flue† & Balanced Flue	
Fuel Bed Options	← Coal, Pebble →	

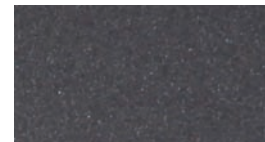
Chimney Models:

Verified Efficiency Class	Class 1 Efficiency	Class 1 Efficiency
Efficiency Net*	87%	80.5%
Max Input Net	5.05kW	4.83kW
Min Input Net	1.8kW	1.84kW
Max Output*	4.4kW	3.89kW
Min Output	1.3kW	1.3kW

Balanced Flue Models:

THE VITESSE B.F.

Verified Efficiency Class	Class 1 Efficiency	Class 1 Efficiency
Efficiency Net	90%	89.4%
Max Input Net	4.87kW	4.78kW
Min Input Net	1.8kW	1.84kW
Max Output	4.38kW	4.27kW
Min Output	1.35kW	1.35kW



Noir



Gun Metal



Brushed Stainless



Brass



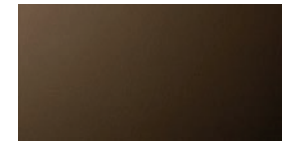
Lacquered Brushed Stainless



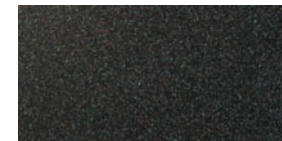
Antique Gold



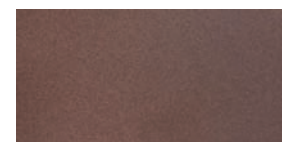
Polished Stainless



Satin Black



Holographic Black



Phosphorus

We have made every effort to show the finishes as accurately as possible. Unfortunately, we cannot fully reflect the depth and quality of the finishes in print, nor can we guarantee exact colour matches. Your Nu-Flame stockist can show you swatches of the actual finishes used. Please refer to product pages for details of which finishes are available for which items.

In line with our policy of continual improvement, we reserve the right to modify specifications.

*The efficiency and output figures quoted for Vitesse Chimney Models are the results of tests carried out in laboratory conditions by BSI using the methodology and equipment as laid down in BS7977-1:2009, the standard in force when this range was CE approved. BS7977-1:2009 has since been amended. If retested to the amended version of the standard the efficiencies and outputs of these fires may vary.

The efficiency and output figures quoted for the Vitesse Balanced Flue Models are to BS EN 613.

Our figures can be used in the UK Government's Standard Assessment Procedure (SAP) for the Energy Rating of Dwellings. When installed in any given property the performance of any fire could be affected by the individual attributes of the installation such as room insulation, ventilation and the characteristics of the chimney etc.

†† For Chimney Models ventilation not normally required in the UK subject to a satisfactory flue test. For Balanced Flue Models ventilation not required.

† Designed to fit into any pre-cast flue that is compliant with building regulations. Please note that ventilation requirements shown are for the UK and may vary from country to country. In all cases local installation requirements must be followed.

FUEL EFFECTS, FLUE TYPES & CONTROLS

FUEL EFFECTS



Coal



Log



Driftwood



Pebble



Crushed Rock

Please refer to product pages for details of which fuel effects are available for which fires. The exact look of the fuel effects will vary depending on the burner size/model ordered. For advice on changing your fuel effect please contact your Nu-Flame dealer.

CONTROL OPTIONS

The control options available vary depending on the type of fire ordered. Please refer to the product pages which detail the control options available for each fire.



Fully Sequential Remote Control

Powered by 4 standard AA batteries. As well as on/off and variable flame height control, our fully sequential Thermatronic system turns the pilot on and off when extinguishing

the fire. It is compatible with, and can control, the Exhausto EFC21 remote control chimney fan system.



2 Button High Level Touch Control

After manually lighting the permanent pilot, the fire is easily controlled, without bending down, by two buttons housed within the fire frame. This battery powered control allows you to adjust the flame setting and switch

to the pilot only setting, by simply pushing a button.



Fully Sequential Wall Switch

As an alternative to a handset the above system can be supplied with a wall switch on some models.



Manual

The Manual control features a single action 'twist and ignite' control valve which establishes the pilot light and allows you to adjust the flame height.



3 Button Fully Sequential High Level Touch Control

As well as on/off and variable flame height our 3 Button High Level Touch Control turns the pilot on and off when extinguishing the fire.

FLUE TYPES

Nu-Flame has products to suit the various types of flue you are likely to have in your house. We also have some products which do not require a chimney. Please refer to the product pages, or chart on pages 20, 21 and 22, where you can find details of which flue type(s) the various products require. Below are brief details. The photographs are a guide only to help identify the type of flue. Your Nu-Flame stockist will give you further details.



Chimney - Class 1 Flue

All of our products are available to suit a conventional brick built chimney.



Pre-Fabricated - Class 1 & 2 Flues

A pre-fabricated flue is characterised by a metal pipe and terminal appearing through the roof. The majority of our products are suitable for Class 1 or 2 pre-fabricated flues.



Pre-Cast Flue

We have various fires suitable for use with any pre-cast flue that is compliant with building regulations. With some installations it might be necessary to have a deeper mantel rebate. Your Nu-Flame stockist can advise you.



Balanced Flue

Nu-Flame balanced flue fires vent the products of combustion through a horizontal twin wall pipe, which terminates on an outside wall. This requires just a single hole to be drilled through the wall, and allows the use of a compact, neat looking terminal on the outside wall. If the flue terminal is easily accessible (e.g. adjoining a path) then a mesh terminal guard must be used.

Nu-flame Limited
Unit 4 Kimpton Trade and Business Centre
Minden Road, Sutton, Surrey, SM3 9PF
Telephone : 020 8254 6802
Facsimile : 020 8641 9992
E-mail : sales@nu-flame.co.uk
Web : www.nu-flame.co.uk

