



SYNERGY RANGE



**HIGH EFFICIENCY
GLASS FRONTED GAS FIRES**



Designed, manufactured and tested in the UK

For over 25 years Nu-Flame has brought together the very best of **British Innovation, Design and Engineering** to give our customers a range of quality gas fires with the authentic look of a traditional flame.

Nu-Flame, a family run business, has invested heavily in our own state of the art factory in Surrey. Unlike some companies, we choose to manufacture all of our fires here in the UK and this enables us to ensure that your fire is built to the highest standards as well as allowing us to react quickly to any changes in the marketplace.

Nu-Flame's Synergy range of glass fronted fires offer increased efficiencies, lower running costs and stunning good looks. All Synergy models feature a vibrant changing flame picture reminiscent of a real log fire and our efficiencies and heat outputs are independently verified by BSI.

Every Nu-Flame fire is built to ISO 9001 and CE quality standards.



Nu-Flame fires come with a 5 year peace of mind option... ask your stockist for details.

For a reasonable one off payment, the warranty on your Nu-Flame fire can be extended to 5 years. Your stockist can advise you of the current rates.

Q. Why is the Nu-Flame extended warranty option better than other manufacturers' long term guarantees?

A. Our offer represents much better value for money, without hidden terms and conditions that are likely to void your warranty after the first year, or, if followed, can cost you considerably more than the purchase price of the fire.



British Made



Nu-Flame would like to thank Glasswells (World of Furniture) 01473 622422 www.glasswells.co.uk for the loan of their furniture used in this brochure.

CONTENTS	Page
Synergy Ellesse Options	
Ellesse Glass	3
Ellesse Steel	4 + 5
Ellesse Echo	6 + 7
Synergy Perspective Options	
Perspective Glass	8 + 9
Perspective Steel	10 + 11
Perspective Echo	12 + 13
General	
Technical Information, Fuel Effects, Interior Linings & Controls	14 + 15
Contact Details	16

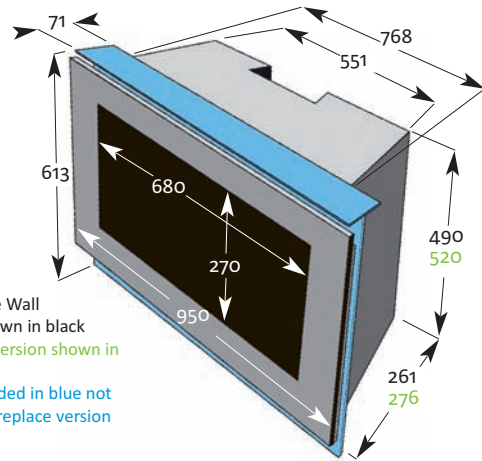
Nu-Flame has earned a reputation for high quality, innovative products and in 2013 our Synergy fire was voted Gas Appliance of the Year by an industry panel. Since then we have further refined our Synergy fire and expanded the range with new sizes, styles and options enabling you to create the perfect look to complement your home.



All measurements in this brochure are in mm and are approximate. Dimensions are for general information only. For full details for builders openings or fireplace construction purposes etc please contact your stockist.

Front cover photo: The Synergy Ellesse Echo
Back cover photo: The Synergy Ellesse Steel

Synergy Ellesse Glass



Hole in the Wall details shown in black
Fireplace version shown in green
Frame shaded in blue not used on Fireplace version

- **Controls:**
Fully Sequential Remote Control as standard.
Optional Thermostatic Control available
- **Interiors:**
Choice of linings (see page 15)
- **Effects:**
Dark Log or Silver Birch
- **Gas Type:**
Natural Gas or LPG
- **Flue Types:**
Class 1 or 2
- **Ventilation:**
Not required
- **Class 1 Efficiency:***
80.2% Net (Nat. Gas)
76.8% Net (LPG)
- **Max. Heat Output:***
4.63kW (Nat. Gas)
4.7kW (LPG)



Synergy Ellesse Glass with Black Outer Frame, Vermiculite lining and Dark Log fuel effect

The Synergy Ellesse Glass is a stunning landscape convector fire which features an all glass door with a high gloss black border. With our unique patented technique for hinging the glass door we have been able to achieve an ultra-sleek and very modern look, which can be personalised with our options on both the interior linings and fuel beds. If desired a television can be fitted above the Synergy Ellesse Glass, subject to the use of Nu-Flame's glass heat shield being fitted underneath the television and certain spacing requirements being followed. Your stockist can give you further details. Although not shown, the Synergy Ellesse Glass can be installed into a suitable fireplace.

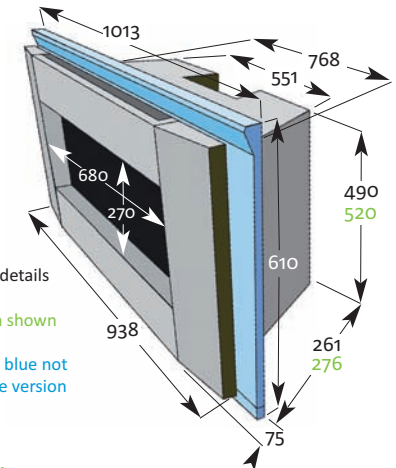
*Figures verified at time of CE approval by BSI to BS7977-1:2009. This standard has since been amended. If retested to the amended version of the standard the efficiencies and outputs of these fires may vary.

Patent pending

GLASS
FRONTED



Synergy Ellesse Steel



Controls:
Fully Sequential Remote Control as standard.
Optional Thermostatic Control available

Interiors:
Choice of linings (see page 15)

Effects:
Dark Log or Silver Birch

Door Colours:
Shown on opposite page

Gas Type:
Natural Gas or LPG

Flue Types:
Class 1 or 2

Ventilation:
Not required

Class 1 Efficiency: *
80.2% Net (Nat. Gas)
76.8% Net (LPG)

Max. Heat Output: *
4.63kW (Nat. Gas)
4.7kW (LPG)

Synergy Ellesse Steel with Brushed Stainless Door and Satin Black Outer Frame with Slate effect lining and Silver Birch Log fuel effect

The Synergy Ellesse Steel is a highly efficient and stylish glass fronted convector fire that will enhance any home. Choose from Brushed Stainless and four other gorgeous colours, applied using the latest techniques resulting in a beautiful finish that is both practical and durable. Although not shown the Synergy Ellesse Steel can be installed into a suitable fireplace.

Please note: Within the Synergy Range the Ellesse Steel and Perspective Steel Hole in the Wall models are the only fires that cannot have a television installed above. When installed into a suitable fireplace it is possible to mount a television above this style of fire. Your stockist can give you further details.

*Figures verified at time of CE approval by BSI to BS7977-1:2009. This standard has since been amended. If retested to the amended version of the standard the efficiencies and outputs of these fires may vary.



Phosphorous Door



Noir Door

Please note: Within the Synergy Range the Ellesse Steel and Perspective Steel Hole in the Wall models are the only fires which **cannot** have a television installed above



Marfil Stone finish Door

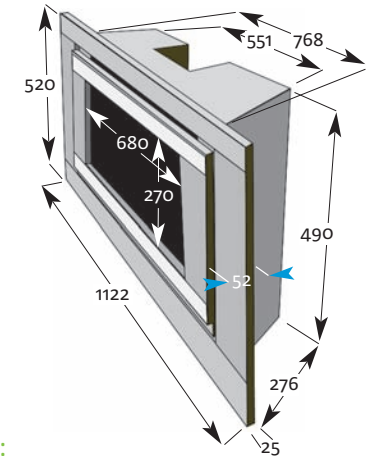


Satin Black Door

GLASS
FRONTED



Synergy Ellesse Echo



- Controls:**
Fully Sequential Remote Control as standard.
Optional Thermostatic Control available
- Interiors:**
Choice of linings (see page 15)
- Effects:**
Dark Log or Silver Birch
- Colour Combinations:**
Shown on opposite page
- Gas Type:**
Natural Gas or LPG
- Flue Types:**
Class 1 or 2
- Ventilation:**
Not required
- Class 1 Efficiency: ***
80.2%Net (Nat. Gas)
76.8%Net (LPG)
- Max. Heat Output: ***
4.63kW (Nat. Gas)
4.7kW (LPG)

Synergy Ellesse Echo Piano Black/Brushed Stainless combination, with Reflective Vitreous Enamel lining and Dark Log fuel effect

The Synergy Ellesse Echo is a versatile and modern landscape fire with a wide choice of frame and door finishes and interior linings. Its stylish good looks mean that the Synergy Ellesse Echo is equally at home in contemporary or traditional settings. If desired a television can be fitted above the Synergy Ellesse Echo, subject to the use of Nu-Flame's glass heat shield being fitted underneath the television and certain spacing requirements being followed. Your stockist can give you further details.

* Figures verified at time of CE approval by BSI to BS7977-1:2009. This standard has since been amended. If retested to the amended version of the standard the efficiencies and outputs of these fires may vary.



Phosphorous/Brushed Stainless combination



All Brushed Stainless combination



Glass/Noir combination



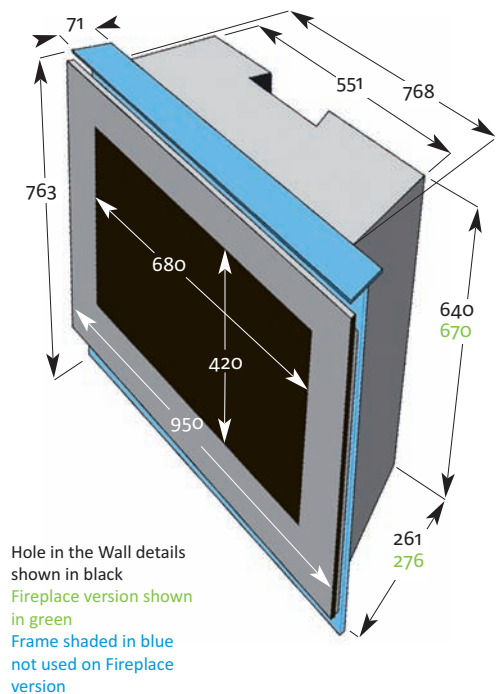
Noir/Brushed Stainless combination

Synergy Perspective Glass



Synergy Perspective Glass with Black Outer Frame, Slate effect lining and Silver Birch Log fuel effect

The Synergy Perspective Glass can be installed as a Hole in the Wall feature or within a fireplace (as shown opposite). The black all glass door is complemented by a wide choice of interior linings as well as options on the log effect. If desired a television can be fitted above the Synergy Perspective Glass, however, this is subject to the use of Nu-Flame's glass heat shield underneath the television. Your stockist can give you further details.



Synergy Perspective Glass

- **Controls:**
Fully Sequential Remote Control as standard.
Optional Thermostatic Control available
- **Interiors:**
Choice of linings (see page 15)
- **Effects:**
Dark Log or Silver Birch
- **Gas Type:**
Natural Gas or LPG
- **Flue Types:**
Class 1 or 2
- **Ventilation:**
Not required
- **Class 1 Efficiency: ***
83.1 Net (Nat. Gas)
83.3 Net (LPG)
- **Max. Heat Output: ***
5.2kW (Nat. Gas)
5.1kW (LPG)



Synergy Perspective Glass with Brick effect lining and Dark Log fuel bed shown in Limestone Synergy Fireplace. When installed within the Limestone Synergy Fireplace the glass heat shield and glass shelf are not required.

Patent pending

*Figures verified at time of CE approval by BSI to BS7977-1:2009. This standard has since been amended. If retested to the amended version of the standard the efficiencies and outputs of these fires may vary.



Synergy Perspective Steel



Noir Door

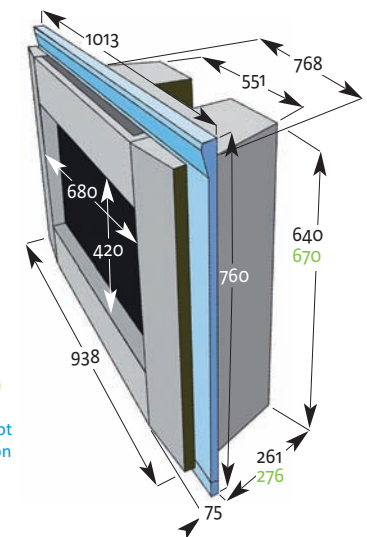


Brushed Stainless Door

Synergy Perspective Steel with Satin Black Hinged Door, Plain Black Lining and Dark Log fuel bed, shown in Nu-Flame's Limestone Synergy Fireplace

The Synergy Perspective Steel is a highly efficient and stylish glass fronted convector fire that will enhance any home. The Perspective Steel can be installed within a fireplace or as a Hole in the Wall feature. Choose from Lacquered Brushed Stainless or four other gorgeous colours, applied using the latest techniques resulting in beautiful finishes that are both practical and durable.

Please note: It is not possible to install a television above Hole in the Wall Perspective Steel models. When installed into a suitable fireplace it is possible to mount a television above this style of fire. Your stockist can give you further details.



Hole in the Wall details shown in black
 Fireplace version shown in green
 Frame shaded in blue not used on Fireplace version

Synergy Perspective Steel

- **Controls:**
Fully Sequential Remote Control as standard.
Optional Thermostatic Control available
- **Interiors:**
Choice of linings (see page 15)
- **Effects:**
Dark Log or Silver Birch
- **Door Colours:**
As shown
- **Gas Type:**
Natural Gas or LPG



Satin Black Door



Phosphorus Door



GLASS
FRONTED

Synergy Perspective Steel with Marfil Stone finish Door and Satin Black Outer Frame with Vermiculite lining and Dark Log fuel effect

Please note: Within the Synergy Range the Ellesse Steel and Perspective Steel Hole in the Wall models are the only fires that cannot have a television installed above. When installed into a suitable fireplace it is possible to mount a television above this style of fire. Your stockist can give you further details.

- **Flue Types:**
Class 1 or 2
- **Ventilation:**
Not required

- **Class 1 Efficiency: ***
83.1 Net (Nat. Gas)
83.3 Net (LPG)

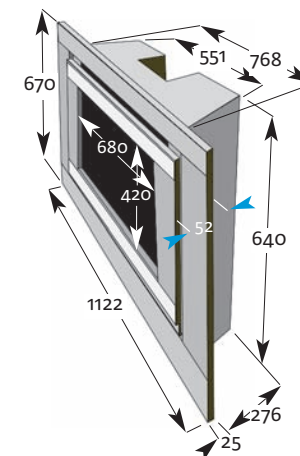
- **Max. Heat Output: ***
5.2kW (Nat. Gas)
5.1kW (LPG)

* Figures verified at time of CE approval by BSI to BS7977-1:2009. This standard has since been amended. If retested to the amended version of the standard the efficiencies and outputs of these fires may vary.

GLASS
FRONTED



Synergy Perspective Echo



- Controls:**
Fully Sequential Remote Control as standard.
Optional Thermostatic Control available
- Interiors:**
Choice of linings (see page 15)
- Effects:**
Dark Log or Silver Birch
- Colour Combinations:**
Shown on opposite page
- Gas Type:**
Natural Gas or LPG
- Flue Types:**
Class 1 or 2
- Ventilation:**
Not required
- Class 1 Efficiency: ***
83.1% Net (Nat. Gas)
83.3% Net (LPG)
- Max. Heat Output: ***
5.2kW (Nat. Gas)
5.1kW (LPG)

Synergy Perspective Echo Glass/Noir combination, with Black Reflective Vitreous Enamel lining and Silver Birch Log fuel effect

The Synergy Perspective Echo with its choice of designer frames, wonderfully realistic flame pattern and five optional interior linings is one of the most versatile, large, glass fronted fires on the market. Combine this with an impressive heat output, amazing efficiency and you have a room heater with stunning good looks. Proving you can have the best of both worlds!

*Figures verified at time of CE approval by BSI to BS7977-1:2009. This standard has since been amended. If retested to the amended version of the standard the efficiencies and outputs of these fires may vary.



Phosphorous/Brushed Stainless combination



All Brushed Stainless combination



Piano Black/Brushed Stainless combination



Noir/Brushed Stainless combination

Technical Information, Fuel Effects, Interior Linings and Controls

	Synergy Ellesse <i>Glass, Steel, Echo</i>		Synergy Perspective <i>Glass, Steel, Echo</i>	
Model	SEN	SEL	SPN	SPL
Gas Type	Nat. Gas	LPG	Nat. Gas	LPG
Control Options	← Remote Control or Thermostatic Remote Control →			
Ventilation Required	No*	No*	No*	No*
Flue Types	← Class 1 and 2 Flues and 5" Lined Flue →			
Fuel Bed Options	← Dark Log, Silver Birch →			
Verified Efficiency Class	Class 1 Efficiency		Class 1 Efficiency	
Efficiency Net *	80.2%	76.8%	83.1%	83.3%
Max. Input Net	5.77kW	6.12kW	6.26kW	6.12kW
Min. Input Net	2.5kW	2.6kW	2.5kW	2.6kW
Max. Output *	4.63kW	4.7kW	5.2kW	5.1kW
Min. Output	1.7kW	1.7kW	1.7kW	1.7kW

* The efficiency and output figures quoted are the results of tests carried out in laboratory conditions by BSI using the methodology and equipment as laid down in BS7977-1:2009, the standard in force when this range was CE approved. BS7977-1:2009 has since been amended. If retested to the amended version of the standard the efficiencies and outputs of these fires may vary.

Our figures can be used in the UK Government's Standard Assessment Procedure (SAP) for the Energy Rating of Dwellings. When installed in any given property the performance of any fire could be affected by the individual attributes of the installation such as room insulation, ventilation and the characteristics of the chimney etc.

In line with our policy of continual improvement, we reserve the right to modify specifications. We have taken every care in the preparation of the contents of this brochure, but we accept no liability for any loss or damage arising directly or indirectly from the use of this brochure.

* Ventilation not normally required in the UK subject to a satisfactory flue test. Please note that ventilation requirements shown are for the UK and may vary from country to country. In all cases, local installation requirements must be followed.

All measurements are in mm and are approximate. Dimensions are for general information only. For full details for builders openings or fireplace construction purposes etc please contact your stockist.

Patents pending

Fuel Effects



Silver Birch



Dark Log

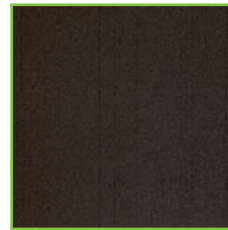
Interior Linings



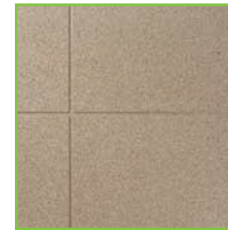
Brick



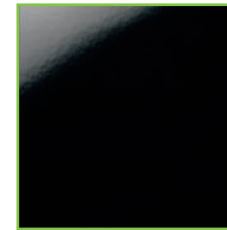
Slate



Black



Vermiculite



Reflective Vitreous Enamel

Fully Sequential Remote Control

As standard, the Synergy is supplied with our Fully Sequential Remote Control. Powered by 4 standard AA batteries. As well as on/off and variable flame height control, our fully sequential Thermatronic system turns the pilot on, and off when extinguishing the fire. It is compatible with, and can control, the Exhausto EFC21 chimney fan system.



Optional Thermostatic Control

As well as providing all the functionality of the Fully Sequential Remote Control the Thermostatic option allows you to pre-select temperature and/or timer programs on the handset. The system will then turn the Synergy up/down or on/off in order to provide the required heating at the chosen time to maintain a comfortable room temperature, which will be shown on the handset display. For your convenience a wall holder is supplied with the handset when this option is chosen.



Quality Assured!

Nu-Flame's reputation has been built on a solid foundation of engineering excellence and attention to detail in both design and manufacturing. The build quality of the Synergy Range is second to none and every component from the fuel bed to the control system is of the highest standard. Designed, Engineered and Built in Britain, every Nu-Flame fire is manufactured to strict CE and ISO 9001 quality standards.



Photography, Design and Production by TPW Graphics Ltd (01206) 393888

Nu-Flame Ltd

Unit 4, Kimpton Trade & Business Centre, Minden Road, Sutton, Surrey, SM3 9PF

T : 020 8254 6802

F : 020 8641 9992 Email : sales@nu-flame.co.uk Web : www.nu-flame.co.uk

Issue 04.16SGY