

ODIN BY DIK GEURTS

The complete story

Odin, the supreme god of Norse mythology, is now the name of a beautiful circular wood stove from Dik Geurts

 **Dik Geurts**
Creation of flames

STYLE AND FUNCTION IN PERFECT HARMONY

Designed with style,
efficiency and ease of use
and meticulously crafted.
That is the Dik Geurts Odin.

Its distinctive circular design not only makes it a real eye catcher, but its shape also generates fabulous flame patterns. Flames which are easy to control, with just one unique air slider that is exclusive to Dik Geurts.





The spirit of Dik Geurts

The special characteristics of Dik Geurts can be found in many elements of the Odin: its dark anthracite exterior, the seamless finish, the sturdy door hinge, its perfect air-tightness and the simplicity of the single air slider. With the Odin and the Odin Tunnel, Dik Geurts is adding two superior models to its impressive range of wood stoves.



Beautifully simple

One single sturdily constructed air slider with three settings for the entire operation of your stove. This is typically Dik Geurts. The primary ventilation is for igniting the fire, the secondary ventilation is for burning waste gases and the ventilated glass creates a window that always stay clean.





Rapid heat and low emissions

The Odin's internal lining is made of cast vermiculite that perfectly reflects the heat. This ensures faster heating of the fume channel and more heat in the fire. The result: beautifully clean combustion, higher efficiency and adherence to the most stringent emission requirements.

A

Naturally efficient

Besides heat reflecting inner cladding made of vermiculite, the Odin offers, as do all Dik Geurts stoves, the option of external air connection. This means that no air is drawn from the living room, resulting in clean burning and efficient performance that is compatible with well insulated homes.





Odin Wall^{EA}

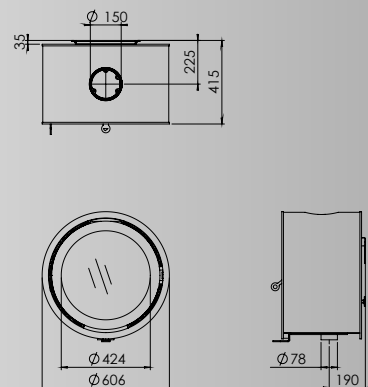
- ▶ Wall mounted
- ▶ Includes mounting kit
- ▶ Accessory: elbow cover for external air connection

Odin Wall^{EA}

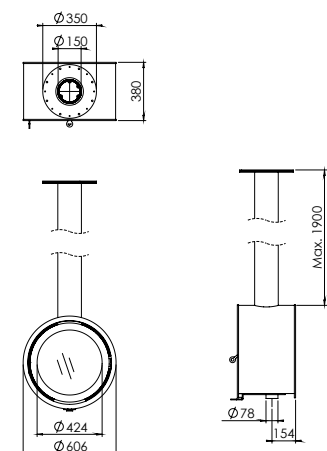
- ▶ Wall mounted
- ▶ Includes mounting kit
- ▶ Accessory: telescopic cover pipe for external air connection (30-55 cm)

Odin Fixed^{EA}

- ▶ Suspended from the ceiling (made of non-combustible material)
- ▶ Includes hanging kit/fixed pipe (custom made, max. 190 cm)
- ▶ Accessory: telescopic cover pipe for external air connection (30-55 cm)



Odin Wall^{EA}



Odin Fixed^{EA}



Odin Tunnel Fixed^{EA}

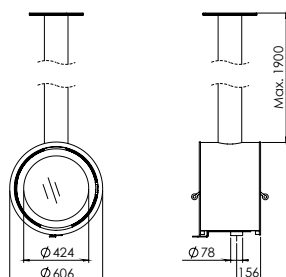
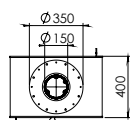
- ▶ Suspended from the ceiling (made of non-combustible material)
- ▶ Includes hanging kit/fixed pipe (custom made, max. 190 cm)
- ▶ Accessory: telescopic cover pipe for external air connection (30-55 cm)

Odin Plateau^{EA} / Tunnel Plateau^{EA}

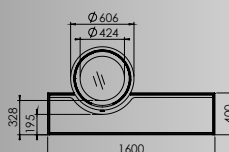
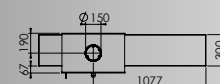
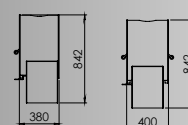
- ▶ Stands on a base unit
- ▶ Includes base unit 160x30x40 cm (wxdxh)
- ▶ Customised base units are available to match your interior design



Raised ash collector



Odin Tunnel Fixed^{EA}



Odin Plateau^{EA} / Tunnel Plateau^{EA}

Specifications:

- ▶ Unique design with circular glass window
- ▶ Wall mounted, suspended or standing on a base unit
- ▶ Very easy to operate with a single air slider
- ▶ Interior in coated vermiculite, exterior in dark anthracite
- ▶ Extremely efficient and approved in accordance with the most stringent emission requirements.
- ▶ Odin Fixed^{EA}, Odin Plateau^{EA} and Odin Wall^{EA} Defra approved.
- ▶ Output 6-10 kW (Odin Tunnel^{EA}) / 4-8 kW (Odin^{EA})
- ▶ Energy efficiency class A



General accessories:

- ▶ Raised ash collector
- ▶ External air kit (external air connection)
- ▶ Floor boards, round, Ø 100 cm and Ø 120 cm
- ▶ Floor plate, round with straight reverse, Ø 85 cm

The colours in this brochure may vary from those actually used. Nothing in this publication may be reproduced without prior written consent from DRU Verwarming B.V.



Dik Geurts Haardkachels is a tradename of DRU Verwarming B.V.

www.drufire.com